



| CUBE |

ICECREAM & DISPLAY FREEZER

At first sight it may look like a traditional freezer for ice cream and frozen food but furthermore we can offer very high quality and reliability. New technologies has allowed us to use compressors with very low energy consumption, which also includes the use of hydro carbons. The lid system is unique. Once you get to the final part of the closing process, the lid is partially self-closing.



CUBE 22



CUBE 35



CUBE 45



CUBE 53



CUBE 61

FEATURES

- Steel inner liner
- HC refrigerants as standard
- Low service costs
- Custom made design
- Long life
- Available in all climate classes
- 5 different sizes
- Partially self closing lid
- 77 mm insulation
- Environmental friendly
- Accessories including baskets - see page 64
- Graphics (option)
- Scoope (option)

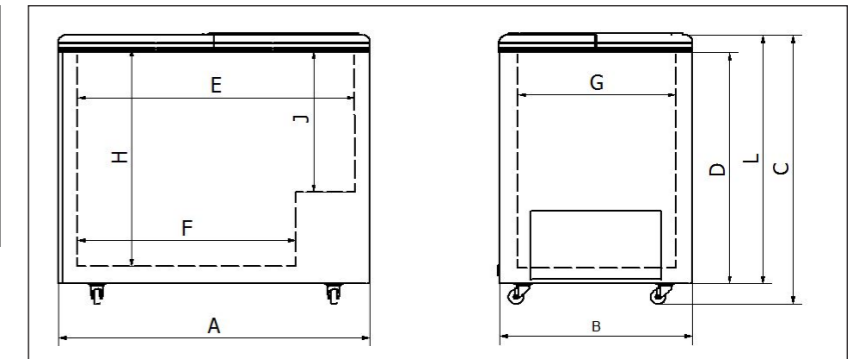
TYPICAL CONFIGURATION OF VENTILATION GRIDS



Ventilation grid with digital thermometer



Standard ventilation grid



	CUBE 22	CUBE 35	CUBE 45	CUBE 53	CUBE 61
Climate class 4	4	4	4	4	4
Ambient temperature range	+16 to +30	+16 to +30	+16 to +30	+16 to +30	+16 to +30
Climate class 4+	4+	4+	4+	4+	4+
Ambient temperature range	+16 to +35	+16 to +35	+16 to +35	+16 to +35	+16 to +35
Gross volume, litres	205	331	426	503	602
Net volume, litres	163	267	345	408	489
Temperature range inside unit	-16 to -23	-16 to -23	-16 to -23	-16 to -23	-16 to -23
Refrigerant	R600a	R600a	R600a	R290	R290
Energy consumption / 24h kwh at 30 deg. C	1,92	2,73	3,79	3,84	4,4
Annual Energy consumption kwh	532	996	1383	1402	1425
Energy Efficiency Index	55,40%	62,00%	74,20%	61,60%	62,50%
Energy Class	D	D	D	D	D
Input power (watt)	141	153	203	204	230

DIMENSIONS					
External dimensions (WxDxH)	764*694*867	1094*694*867	1344*694*867	1544*694*867	1804*694*867
Internal dimensions (WxDxH)	606*536*688	936*536*688	1186*536*688	1386*536*688	1646*536*688
Dimension A	764	1094	1344	1544	1804
Dimension B	694	694	694	694	694
Dimension C	867	867	867	867	867
Dimension D	764	764	764	764	764
Dimension E	606	936	1186	1386	1646
Dimension F	406	736	986	1186	1446
Dimension G	536	536	536	536	536
Dimension H	688	688	688	688	688
Dimension J	438	438	438	438	438
Dimension L	798	798	798	798	798
Insulation (mm)	77	77	77	77	77

ACCESSORIES					
Dividers	Optional	Optional	Optional	Optional	Optional
Max number of baskets (option)	2	3	4	5	6
Castors	Incl.	Incl.	Incl.	Incl.	Incl.
Castors w brakes	Optional	Optional	Optional	Optional	Optional
Lock	Optional	Optional	Optional	Optional	Optional
Thermometer	Optional	Optional	Optional	Optional	Optional
Internal light	n/a	n/a	n/a	n/a	n/a

OTHER DATA					
Outer cabinet	White	White	White	White	White
Inner cabinet	Steel inner liner	Steel inner liner	Steel inner liner	Steel inner liner	Steel inner liner
Graphics	Optional	Optional	Optional	Optional	Optional
Type of cooling	Static	Static	Static	Static	Static
Type of defrost	Manual	Manual	Manual	Manual	Manual
Power	220-240 v / 50 Hz	220-240 v / 50 Hz	220-240 v / 50 Hz	220-240 v / 50 Hz	220-240 v / 50 Hz
Power 110 volt / 60 hz	Optional	Optional	Optional	Optional	Optional
UL / DOE approval	Yes	Yes	Yes	Yes	Yes
Thermostat	Mechanical	Mechanical	Mechanical	Mechanical	Mechanical
Net weight, kg	45	53	61	68	71
Gross weight, kg	48	57	65	72	75

SHIPPING					
20' cont. capacity	42	30	24	20	18
40' cont. capacity	84	62	50	44	38
40' HC cont. capacity	126	91	74	64	55
Standard trailer capacity	153	105	84	78	66